



CONTEMPORARY GAS FIREPLACES



REGENCY-FIRE.COM

WHY CHOOSE REGENCY?

At Regency, our past 40 years have been focused on providing a high-level of service while building high-quality and reliable products that our customers can enjoy for years to come.

HIGH-QUALITY

Producing a high-quality product has been at the very heart of what we do from when that very first stove rolled off the production line over 40 years ago to today. We are ever-focused on producing quality products for our customers that will last for years to come.

BEST WARRANTY

A fireplace should be reliable and should work right the first time it is used, and the 1,000th. A core part of our business is making sure that we are building long-lasting, durable, high-quality products; we back-up that commitment with the industry's best warranty on all our products.

COST-EFFICIENT

Never before have home heating costs been higher. Turn your furnace way down and zone heat with our beautiful, reliable and convenient Regency products. Not only can you cut your fuel bills in half, but you'll be able to enjoy the timeless comfort of a Regency fire.

Why Regency? Because it's more than a fireplace!



TABLE OF CONTENTS

Regency Ultimate™ Gas Fireplaces	
U1500E	04
U900E	06
Regency Horizon® Gas Fireplaces	
HZ54E	08
HZ40E	10
HZ33CE	12
Design Options	14
Accessories	16
Specifications	18





U1500E shown with black contemporary inner door frame.

REGENCY ULTIMATE™ | U1500E *Large Contemporary Gas Fireplace*

COST-EFFICIENT HEATING

Enjoy a wide landscape view of our most realistic log sets and glowing ember-bed with the U1500E Ultimate gas fireplace. The Ultimate series features a seamless design, coastal driftwood logs set upon a glowing linear ember-bed, and beautiful wide-angle flames enhanced by reflective black enamel side panels.

SPECIFICATIONS	NATURAL GAS	PROPANE
Input (BTU)	43,000	42,000
Turn down to (BTU)	29,000	33,500
Efficiency (steady state)	73.72%	74.67%
EnerGuide Rating (Canada only)	67.46%	69.64%

DIMENSIONS	
Viewing Area	611 sq. in. 45-1/4" x 13-1/2"
Width (Clean finish)	49-11/16"
Height (Clean finish)	18-11/16"

For additional surround dimensions see page 26.
For detailed specifications please see pages 20-25.



U1500E shown with inner door frame and premium glass surround in black.

FEATURES

- Natural gas
- Safety screen
- Glowing linear ember bed
- Ceramic burner & driftwood log set
- Black enamel reflective side panels
- Electronic ignition
- Variable speed blower
- Proflame II GTMF remote control system
- Direct vent
- Limited lifetime warranty

OPTIONS

- Contemporary inner door frame & black surround
- Inner door frame in black
- Premium glass surround in black
- Flush finish option (no outer frame required)
- Optional finishing trim for clean edge finish
- Steel stud framing kit (recommended)
- AstroCap® venting
- HeatWave™ power duct kit
- Propane conversion kit





U900E shown with black contemporary inner door frame.**

REGENCY ULTIMATE™ | U900E *Medium Contemporary Gas Fireplace*

ULTIMATE FLAME PACKAGE

The Regency ultimate linear gas fireplace showcases our best-in-class flame and log package. Perfect for modern spaces and open concept living areas, clean-burning heat is distributed throughout your home.

EXPANSIVE HEAT

Colder climates benefit from the combination of intense radiant heat and extensive convective heat delivered by the U900E's built-in blower. The black enamel reflective panels accentuate the fire to create the perfect ambiance.

SPECIFICATIONS	NATURAL GAS	PROPANE
Input (BTU)	34,000	31,500
Turn down to (BTU)	23,500	25,000
Efficiency (steady state)	73.31%	73.77%
EnerGuide Rating (Canada only)	68.28%	69.49%

DIMENSIONS	
Viewing Area	455 sq. in. 35" x 13"
Width (Clean finish)	39-3/8"
Height (Clean finish)	17-11/16"

For additional surround dimensions see page 26.
For detailed specifications please see pages 20-25.

**NOTE: The wall above fireplace is non-combustible



U900E shown with black contemporary inner door frame.

FEATURES

- Natural gas or propane
- Safety screen
- Glowing linear ember bed
- Ceramic burner & driftwood log set
- Black enamel reflective side panels
- Electronic ignition
- Variable speed blower
- Proflame II GTMF remote control system
- Direct vent
- Heat exchanger
- Limited lifetime warranty

OPTIONS

- Contemporary inner door frame & black surround
- Inner door frame in black
- Premium glass surround in black
- Flush finish option (no outer frame required)
- Optional finishing trim for clean edge finish
- Steel stud framing kit (recommended)
- AstroCap® venting
- HeatWave™ power duct kit





*HZ54E shown with stainless steel inner door frame and faceplate, black enamel reflective panels and black crystals.***

REGENCY HORIZON® | HZ54E Large Contemporary Gas Fireplace

DRAMATIC FLAMES

The Regency horizon HZ54E offers a wide-angle view of our unique and dramatic flame, perfect for contemporary homes and open concept living spaces.

STUNNING CONTEMPORARY STYLE

Inner reflective panels amplify the appearance of this stunning fire. Contemporary styling is paired with practical function, delivering consistent, controllable heat – even during power outages.

SPECIFICATIONS	NATURAL GAS	PROPANE
Input (BTU)	41,500	37,000
Turn down to (BTU)	29,000	30,000
Efficiency (steady state)	69.36%	72.02%
EnerGuide Rating (Canada only)	64.45%	67.72%

DIMENSIONS	
Viewing Area	685 sq. in. 45-7/8" x 14-15/16"
Width	56-11/16"
Height	25-1/8"

For additional surround dimensions see page 26.
For detailed specifications please see pages 20-25.

****NOTE:** The wall above fireplace is non-combustible



HZ54E shown with inner door frame and verona glass surround in black, black enamel reflective panels, black crystals and driftwood log set.



HZ54E shown with black inner door frame and faceplate, black enamel reflective panels, crystals and volcanic stones.

FEATURES

- Natural gas or propane
- Safety screen
- 40" burner covered with crystals (purchased separately)
- Electronic ignition with SureFire™ switch
- Proflame I GTMF remote control
- Direct vent
- Limited lifetime warranty

OPTIONS

- Contemporary inner frame & faceplate in black or brushed stainless steel
- Verona black glass surround
- Black enamel inner reflective panels
- Ceramic spa stones, volcanic stones
- Crystals in various colors
- Firebeads in various colors
- Natural river pebbles
- Driftwood log set
- Wall thermostat
- AstroCap® venting
- Variable speed blower
- HeatWave™ power duct kit
- Steel stud framing kit (recommended)





*HZ40E shown with inner door frame and Verona glass surround in black, black enamel inner panels, black crystals and driftwood log set.***

REGENCY HORIZON® | HZ40E *Medium Contemporary Gas Fireplace*

DRAMATIC FLAME WITH PERFECT HEAT

Feature a stunning firescape in your space with the Regency horizon HZ40E, a mid-sized contemporary gas fireplace that offers a dramatic flame and ample heat.

TRANSFORM YOUR SPACE

Rev up the atmosphere with glass crystals in a choice of colors, or create a tranquil escape using spa stones or driftwood logs. Transform any room into an experience with this Regency unit.

SPECIFICATIONS	NATURAL GAS	PROPANE
Input (BTU)	26,000	25,500
Turn down to (BTU)	18,000	21,000
Efficiency (steady state)	69.70%	72.03%
EnerGuide Rating (Canada only)	64.44%	66.75%

DIMENSIONS	
Viewing Area	444 sq. in. 35-1/2" x 12-1/2"
Width (Clean finish)	39-13/16"
Height (Clean finish)	16-7/8"

For additional surround dimensions see page 26.
For detailed specifications please see pages 20-25.

****NOTE:** The wall above fireplace is non-combustible



HZ40E shown with black inner door frame and garnet luster firebeads (clean finish).



HZ40E shown with black inner door frame, volcanic stones and black enamel inner panels.



*HZ40E shown with inner door frame and Verona faceplate in stainless steel, black firebeads and black enamel inner panels.***

FEATURES

- Natural gas or propane
- Safety screen
- 30" burner covered with crystals (purchased separately)
- Electronic ignition with SureFire™ switch
- Proflame I GTMF remote control
- Direct vent
- Limited lifetime warranty

OPTIONS

- Flush finish option (no outer frame required)
- Contemporary outer faceplate in 2 colors (in 2 styles)*
- Contemporary inner door frame in 2 colors
- Verona black glass surround
- Black enamel inner reflective panels
- Ceramic spa stones, volcanic stones
- Crystals in various colors
- Firebeads in various colors
- Natural river pebbles
- Driftwood log set
- Wall thermostat
- Variable speed blower
- AstroCap® venting system
- HeatWave™ power duct kit
- Steel stud framing kit (recommended)

***NOTE: The wall above fireplace is non-combustible*

**must also purchase inner door frame with this option*





HZ33CE shown with enamel reflective panels and copper glass crystals (clean face design).

REGENCY HORIZON® | HZ33CE *Medium Contemporary Gas Fireplace*

COMBINING FIRE & ART

Creating the right look for your space has never been easier with the Regency Horizon HZ33CE gas fireplace. This medium sized fireplace offers a wide range of finishing options to suit any décor.

CREATE YOUR FIRE

Choose a frameless clean face look or one of Regency's contemporary surrounds. Finish your firebed with glass crystals in a choice of colors, then add ceramic spa stones, volcanic stones, or driftwood logs to achieve the look you want.

SPECIFICATIONS	NATURAL GAS	PROPANE
Input (BTU)	17,000	15,000
Turn down to (BTU)	12,000	12,500
Efficiency (steady state)	68.96%	68.66%
EnerGuide Rating (Canada only)	64.67%	64.17%

DIMENSIONS	
Viewing Area	416 sq. in. 16" x 26"
Width (Clean finish)	29-7/16"
Height (Clean finish)	21-3/8"

For additional surround dimensions see page 26.
For detailed specifications please see pages 20-25.



HZ33CE shown with Verona glass surround in black, black enamel reflective panels, black crystals and volcanic stones.



HZ33CE shown with black enamel reflective panels, black crystals, and driftwood log set (clean edge install).

FEATURES

- Natural gas
- Safety screen
- 20" burner covered with crystals (purchased separately)
- Electronic ignition with SureFire™ switch
- Proflame I GTMF remote control
- Direct vent
- Limited lifetime warranty

OPTIONS

- Clean edge install
- Contemporary black faceplate
- Verona black glass surround
- Black enamel inner reflective panels
- Driftwood log set
- Crystals in various colors
- Firebeads in various colors
- Volcanic stones, ceramic spa stones
- Natural river pebbles
- Wall thermostat
- Variable speed blower
- AstroCap® venting system
- Propane conversion kit



INTEGRATED FIREPLACE SOLUTIONS



DESIGN OPTIONS

FLUSH/CLEAN EDGE DESIGN OPTION



U1500E/U900E



HZ40E



HZ33CE

METAL SURROUNDS



Inner and outer frame
U1500E/U900E



Inner and outer frame
HZ40E/HZ54E



Verona Metal Faceplate
HZ40E

GLASS SURROUNDS



Verona Glass Surround
U1500E/U900E



Verona Glass Surround
HZ54E



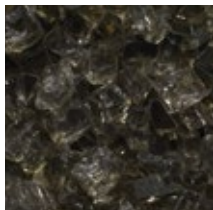
Verona Glass Surround
HZ40E



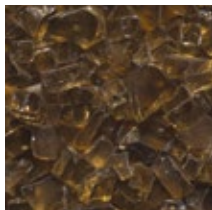
Verona Glass Surround
HZ33CE

FIREBED OPTIONS

CRYSTALS & FIREBEADS



Crystals - Black



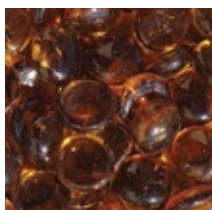
Crystals - Copper



Crystals - Starfire



Firebeads - Black



Firebeads - Caramel Luster



Firebeads - Glacier Ice

STONES & LOGS



Volcanic Stones - Gray



Volcanic Stones - Tan

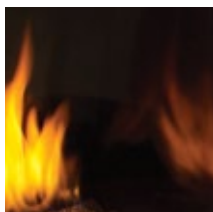


Ceramic Spa Stones



Driftwood Ceramic Log Set

INNER PANELS



Reflective Black Enamel Panels

ACCENT PEBBLES



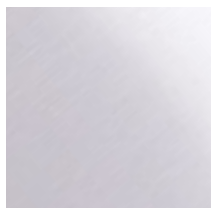
Natural River Pebbles

FINISHING OPTIONS

METAL SURROUNDS



Black



Stainless Steel

GLASS SURROUND



Pure Black

OPTIONS

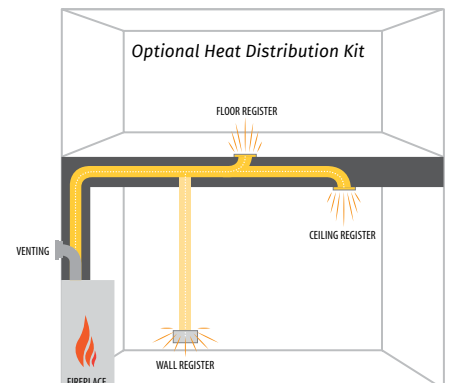
ACCESSORIES - AT A GLANCE			U1500E	U900E	HZ54E	HZ40E	HZ33CE
Clean edge design option			✓	✓	·	✓	✓
Metallic surrounds	Faceplates & Verona surrounds	Black	★	★	★	★	★
		Brushed stainless steel	·	·	★	★	·
	Finishing trim	Black	★	★	·	·	·
Glass surrounds	Verona glass surrounds	Pure black	★	★	★	★	★
Safety screen			✓	✓	✓	✓	✓
Interior options	Regency Horizon firebed	Crystals - various colors	·	·	★	★	★
		Firebeads - various colors	·	·	★	★	★
		Ceramic spa stones	·	·	★	★	★
		Volcanic stones	·	·	★	★	★
	Driftwood ceramic logs		✓	✓	★	★	★
	Accent pebbles (for firebox floor)	Natural river pebbles	·	·	★	★	★
Inner panels			Black enamel	✓	✓	★	★
Controls	Remote controls	Proflame GTMF	✓	✓	✓	✓	✓
		Proflame GTMFS	·	·	·	·	·
	Wall mounted on/off switch		✓	✓	✓	✓	✓
	Thermostat		·	·	★	★	★
Variable speed blower			✓	✓	★	★	★
Venting	Direct vent		✓	✓	✓	✓	✓
	AstroCap® venting system		★	★	★	★	★
	HeatWave power duct kit		★	★	★	★	·
LP conversion kit			★	·	·	·	★

- Not available
- ✓ Standard
- ★ Optional

SPREAD THE WARMTH

ZONE HEATING WITH REGENCY: Add a fireplace to your most frequently used living space and save energy by only heating rooms you use.

HEAT ADJACENT ROOMS WITH THE HEAT WAVE™ - POWER DUCT SYSTEM: Cut down on your heating costs using a Heat Wave kit. The Heat Wave system attaches onto most Regency gas fireplaces, allowing you to direct heat into rooms up to 20 feet away. This kit comes complete with vent, variable speed blower (for HeatWave system only), and vent register.



REGENCY REMOTES AND THERMOSTATS



Proflame I GTMF Remote Control



Proflame II GTMF Remote Control



Programmable Thermostat

Create optimal comfort with ease and convenience at the touch of a button with the Regency comfort control system. Our *user friendly programmable controls* can be set, adjusted and programmed for your fireplace to come on at the temperature you want, when you want it. Regency control systems are available with a variety of features to suit your home heating needs.

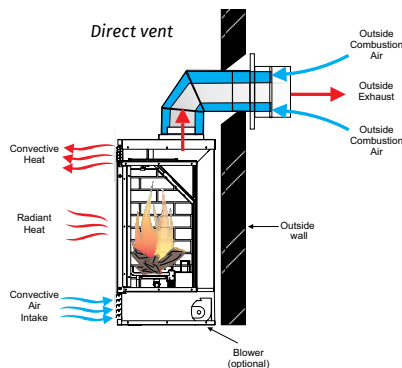
FEATURE	DESCRIPTION	PROFLAME REMOTE		PROGRAMMABLE THERMOSTAT
		GTMF	GTMFS	
On/Off		✓	✓	✓
Child lock		✓	✓	•
LCD backlit screen		✓	✓	✓
Clock		•	•	✓
Temperature display	°F / °C	✓	✓	✓
Thermostat	one setting (all days)	✓	✓	✓
	5-day weekday & 2-day weekend	•	•	✓
Smart thermostat*		✓	✓	•
Flame adjustment	(6 levels)	✓	✓	•
Split flow burner control	(back burner on/off)	•	✓	•
Fan control**	(6 levels)	✓	✓	•
Accent light (On/Off)***		✓	✓	•

* Smart thermostat - Rather than a thermostat that simply turns your fireplace on and off, the Smart Control function allows you to set your desired room temperature. As the room reaches your personal setting, the flame intensity and heat gradually decrease – keeping the ambience of your Regency fire on with less heat output and the option to turn it off at any time.

** For models that have a blower.

*** For models that have an optional accent light.

MAXIMIZING COMFORT AND EFFICIENCY



Regency fireplaces deliver controllable heating solutions by combining the latest in radiant/convection heat technology and innovative features:

- Adjustable flame/heat control
- Heat radiating ceramic glass for maximum radiant heat performance
- SureFire electronic ignition switch with battery backup features fuel saving **intermittent pilot ignition** that conserves energy when not in use
- Power's out, heat's on. All Regency gas fireplaces operate without electricity. Enjoy peace of mind all winter long

DESIGN VERSATILITY



AstroCap (front)



AstroCap (back)

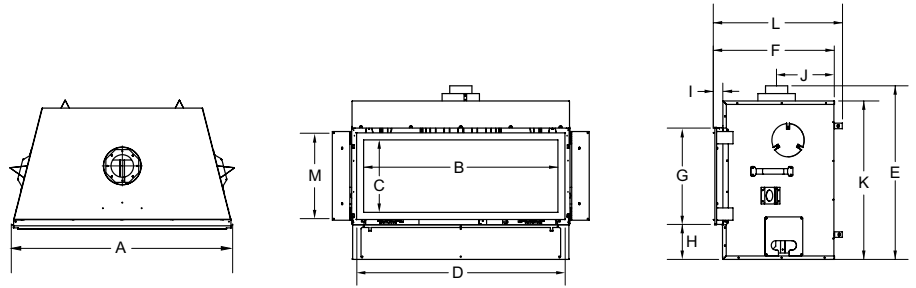
You can enjoy the convenience of a gas fireplace anywhere in your home with a Regency direct vent fireplace. Regency direct vent fireplaces maintain indoor air quality by drawing fresh combustion air from outside through our **specialized venting system** into a sealed firebox and sending the used air back outdoors.

Direct vent technology allows you to add a fireplace to rooms with no existing chimney. Simply vent your fireplace through an outside wall and finish it with the patented **Regency astroCap flex venting system** (11" x 11" 7-1/2" deep including mounting flange).

SPECIFICATIONS

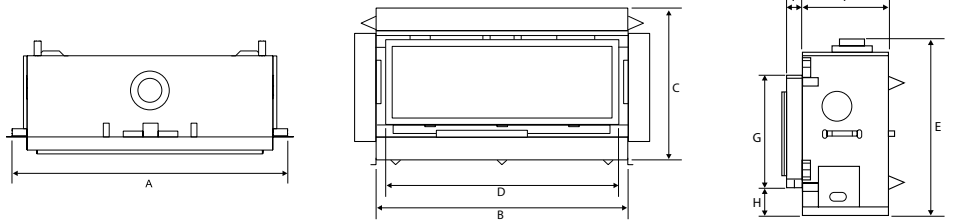
DIMENSIONS	U1500E	U900E
Flue size	5" x 8"	4" x 6-5/8"
A	49-11/16"	39-3/8"
B	45-1/4"	35"
C	13-1/2"	13-1/16"
D	48"	37-3/4"
E	32-5/8"	31-5/16"
F	22-1/16"	21-13/16"
G	18-1/16"	17-11/16"
H	6-3/16"	6-5/16"
I	1-1/2"	1-1/2"
J	9-7/8"	10-7/8"
K	29-1/16"	28-9/16"
L	23-15/16"	23-5/16"
M	16-1/4"	15-3/4"

REGENCY ULTIMATE U1500E/U900E

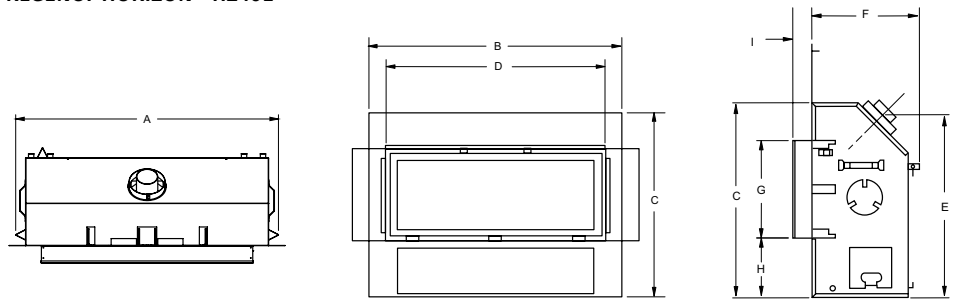


DIMENSIONS	HZ54E	HZ40E
Flue size	5" x 8"	4"x6-5/8"
A	59"	49-5/16"
B	52-5/8"	45-5/8"
C	31-5/8"	33-3/16"
D	48-3/4"	38-1/4"
E	35-1/4"	31"
F	18-3/8"	18-5/16"
G	22-3/8"	16-7/8"
H	5-11/16"	10"
I	3-1/8"	3-1/4"

REGENCY HORIZON® HZ54E

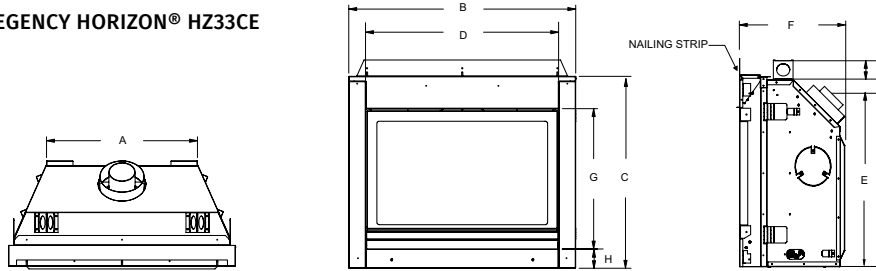


REGENCY HORIZON® HZ40E



DIMENSIONS	HZ33CE
Flue size	4" x 6-5/8"
A	23"
B	34-9/16"
C	29-1/4"
D	29-7/16"
E	26-1/16"
F	16"
G	21-3/8"
H	3"
I	2-1/2"

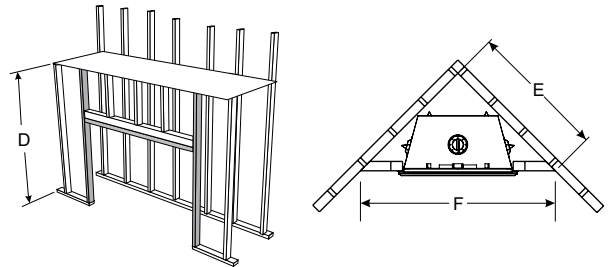
REGENCY HORIZON® HZ33CE



FRAMING

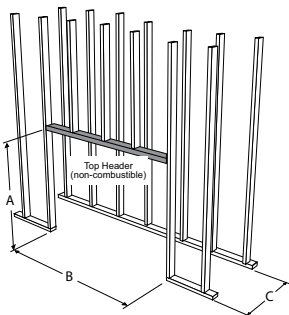
FRAMING	U1500E	U900E	HZ54E	HZ40E
A	47"	42-1/4"	46-5/8"	42"
B	55"	45"	60"	49-7/8"
C	horizontal vent	24-1/4"	22-3/4"	21-3/16"
	vertical vent	24-1/4"	22-3/4"	25-3/16"
D	flex	69-1/2"	52-1/4"	43-7/8"
	rigid	69-1/2"	52-1/4"	43-7/8"
E	65-3/4"	51-1/2"	69"	61"
F	93"	72-1/2"	97-9/16"	86-1/4"

REGENCY ULTIMATE U1500E/U900E & REGENCY HORIZON® HZ54E/HZ40E

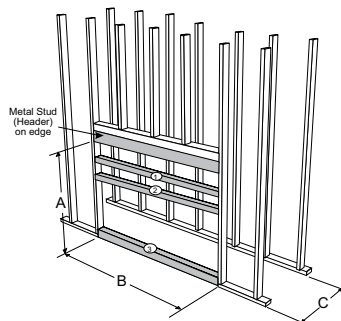


If using optional steel stud kit refer to manual for details

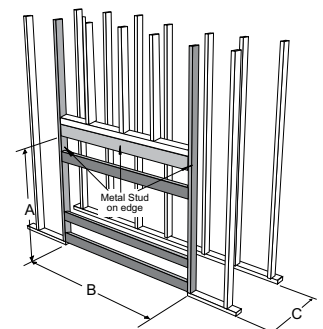
REGENCY ULTIMATE U1500E/U900E



REGENCY HORIZON® HZ54E



REGENCY HORIZON® HZ40E



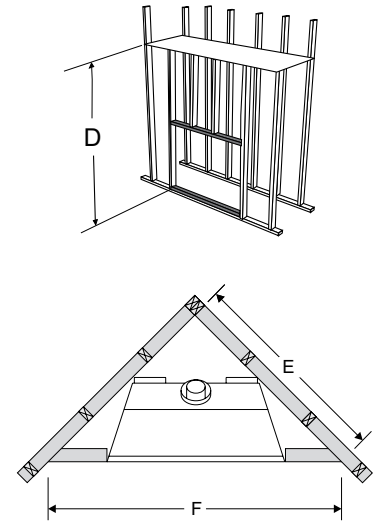
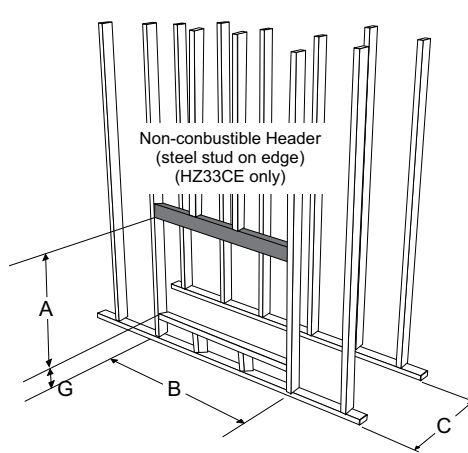
Note: Three horizontal steel studs must be installed after the unit is in position and the venting, gas and electrical is installed. The horizontal studs allow the non-combustible wall board to be attached and supported.

NOTE: All products can be installed in a raised application. Before installing, refer to the relevant product manual for full and up-to-date information. Manuals can be downloaded from our website www.regency-fire.com

REGENCY HORIZON® HZ33CE

FRAMING	HZ33CE	
A	31-3/4"	
B	35"	
C	vertical rise	22-3/4"
	horizontal rigid	19-3/4"
	horizontal flex	16"
D	rigid**	36"
	flex**	32"
E	38-15/16"	
F	55-1/2"	
G	3-5/16" (when using Verona surround) 0"*	

* when not using surround
(Height will differ when using surrounds)
** minimum height from the base of the unit



Note: If this is an outside corner, the minimum distance between the vent and the outside corner is 6" (15cm) with AstroCap termination cap or 12" (30cm) with Rigid Vent termination cap. (For example Dura-Vent)

CLEARANCES

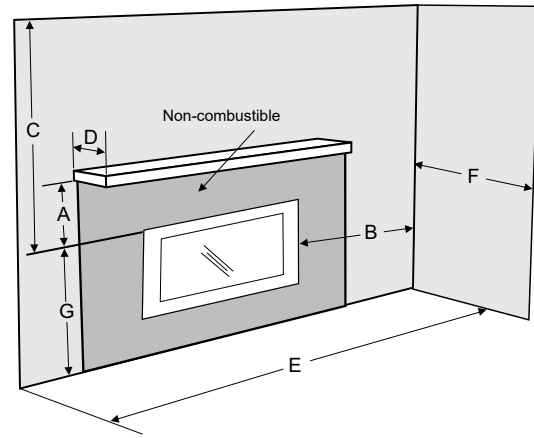
CLEARANCES	U1500E	U900E	HZ54E	HZ40E
A* (Min.)	25"	20"	20"	17"
B	6"	8"	4"	8"
C	46-1/4"	48"	40-7/8"	22"
D** (Max.)	12"	12"	13"	13"
E	60"	84"	83"	84"
F	36"	36"	36"	36"
G	24-1/4"	24"	28-7/8"	27"

* Minimum at 1" deep

** HZ30E - Minimum at 21-1/4" above

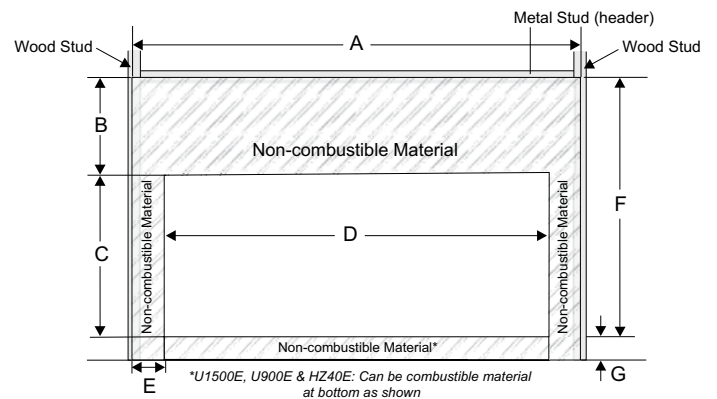
HZ42STE - Minimum at 21-1/2" above

HZ54E - Minimum at 30" above

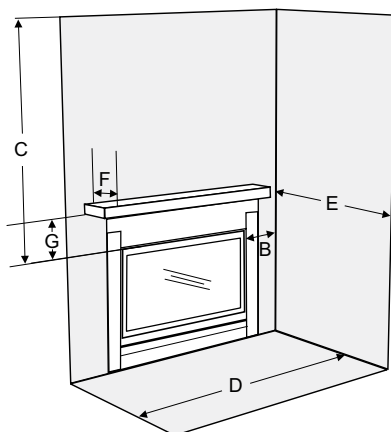


NON-COMBUSTIBLE REQUIREMENTS

	U1500E	U900E	HZ54E	HZ40E
A	56-1/2"	46-1/2"	60-1/2"	51-5/16"
B	23-7/8"	20"	19-7/8"	20"
C	18-1/8"	17-3/4"	22-1/2"	13-13/16"
D	50"	39-7/8"	52-7/8"	39-7/8"
E	3-1/4"	3-7/16"	3-7/8"	5-11/16"
F	42-1/8"	37-3/4"	42-3/8"	33-13/16"
G	6-3/16"	6-1/8"	5-1/2"	10"



REGENCY HORIZON® HZ33CE



	HZ33CE
A	0"
B	9"
C	30"
D	84"
E	36"
F	12"
G	15-3/4"

* For complete instructions please see manual

NOTE: All products can be installed in a raised application. Before installing, refer to the relevant product manual for full and up-to-date information. Manuals can be downloaded from our website www.regency-fire.com

SURROUND DIMENSIONS

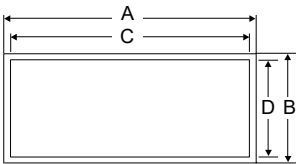
SURROUND DIMENSIONS		A	B	C	D
U1500E	Finishing trim	50-3/4"	19"	n/a	n/a
	Inner and outer frame	53-1/2"	21-3/4"	45-1/4"	13-1/2"
	Verona glass with inner frame	57-1/2"	25-3/4"	49-1/2"	17-3/4"
U900E	Finishing trim	40-1/8"	18-3/8"	39"	17-3/16"
	Inner and outer frame	43-1/16"	20-9/16"	35"	13"
	Verona glass	47"	25-1/4"	38-7/8"	17-1/4"
HZ54E	Verona 54 - glass/metal	58-9/16"	27-1/8"	50-3/4"	19-1/8"
	Inner and outer frame	56-11/16"	25-1/8"	45-3/16"	13-5/8"
HZ40E	Verona 40 - glass/metal	44"	20-7/8"	36"	12-7/8"
	Inner and outer frame	43-1/16"	20-9/16"	35-1/2"	12-1/2"
HZ33CE	Verona 33 - glass	42-5/16"	36-3/4"	29-1/2"	21-1/2"

METAL

GLASS

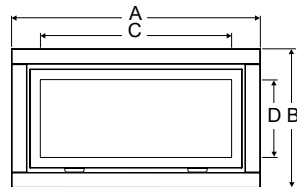
FINISHING TRIM

Available for models:
U1500E & U900E



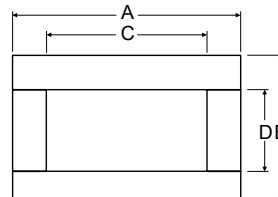
INNER & OUTER FRAME

Available for models:
**HZ40E, HZ54E,
U1500E & U900E**



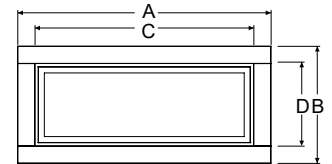
VERONA

Available for models:
HZ33CE & HZ40E



VERONA

Available for models:
**HZ54E, U1500E
& U900E**



NOTE: All products can be installed in a raised application. Before installing, refer to the relevant product manual for full and up-to-date information. Manuals can be downloaded from our website www.regency-fire.com

FIREPLACE PLANNING MADE SIMPLE

Your Regency® matches your home and lifestyle perfectly. How do we know that? Because you designed it yourself!

www.regency-fire.com

1



DESIGN

Go to regency-fire.com and design your perfect fireplace with the Fireplace Design Center.

2



VISIT A REGENCY DEALER

Show your plan to one of our sales associates for expert advice. Your authorized Regency dealer will advise you on all the technical aspects and install your Regency.

3



NO CHIMNEY? NO PROBLEM!

Direct vent technology means you no longer need an expensive, elaborate chimney. Simply vent your fireplace through an outside wall and finish it with an AstroCap™.

4

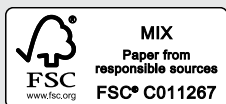
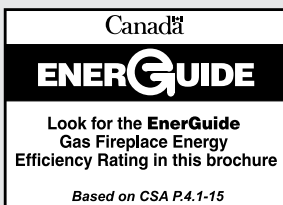


ENJOY!



regency-fire.com

Your Regency Dealer



©2021 FPI Fireplace Products International Ltd. Regency®, Regency Ultimate™, Regency Horizon®, SureFire™, HeatWave™, HeatRelease™, AstroCap®, are registered or proprietary trademarks of FPI Fireplace Products International Ltd. All rights reserved. Printed in Canada (02/21)
Part no. 944-286