

Green Mountain Insert 70 Wood Fireplace Insert



GREEN MOUNTAIN INSERT 70 MODEL 8450 MATTE BLACK

FINISH OPTIONS:



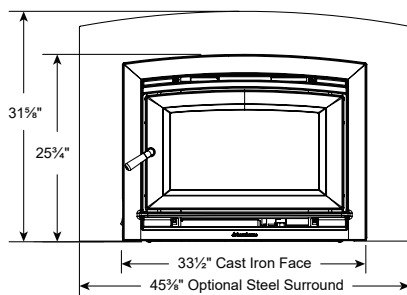
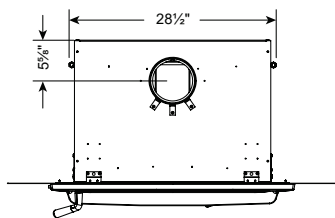
Matte Black



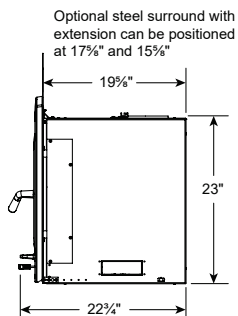
Brown Majolica Enamel



Green Mountain Insert 70 featured in Brown Majolica Enamel with steel surround.

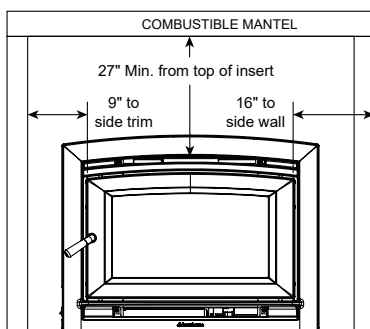
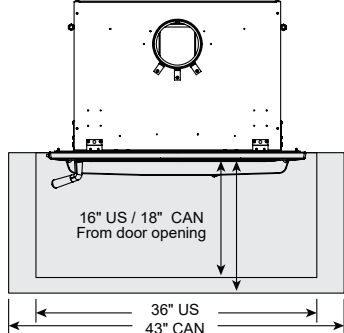


Shown with the optional steel surround



CLEARANCE TO COMBUSTIBLE MATERIALS

Minimum Hearth Protection:
Masonry hearths 5" or higher: Ember Protection Only
Hearths less than 5" tall:
Thermal Protection Required, R-value 1.0



**GREEN MOUNTAIN INSERT 70
MODEL 8450**

2020 READY

- **Meets 2020 EPA Clean Air Standards**
Clean burning and efficient
- **Cast Iron Faceplate and Door**
Unequaled durability and style, optional brown majolica enamel finish
- **Durable Construction**
Full cast iron construction with 1 1/4" soapstone lining offers lasting heat and a lifetime of trouble free service
- **Thermostat Controlled Fans**
Turn on and off automatically
- **Single Lever Air Control**
Easy operation, efficient performance

SPECIFICATIONS

Efficiency	69% HHV
HeatLife™	Up to 10 hrs**
2020 EPA Certified	1.54 g/hr
Heats up to	2,000 sq ft
Firebox Capacity.....	2.4 cu ft
BTU	Up to 75,000*
Maximum Log Length.....	20"
Flue Exit & Diameter.....	Top - 6"
Ash Pan.....	n/a
Type of Chimney.....	Refer to manual
Convection Blower.....	Included (90 CFM)
Actual Weight	428 lbs. (with facade)

ACCESSORIES

Steel Surround	94-5950110
Surround Lower Panel	94-5950510
Surround Extension	94-5950010
Outside Air Adapter Kit.....	94-53500
Fire Screen Insert.....	94-69500

* Based on burning dry cord wood.
Overall heat output rate: 14,800 to 28,600 BTU/hr

