



PELLET STOVES & INSERTS

REGENCY-FIRE.COM



WHY CHOOSE REGENCY?

At Regency, our past 40 years have been focused on providing a high-level of service while building high-quality and reliable products that our customers can enjoy for years to come.

HIGH-QUALITY

Producing a high-quality product has been at the very heart of what we do from when that very first stove rolled off the production line over 40 years ago to today. We are ever-focused on producing quality products for our customers that will last for years to come.

BEST WARRANTY

A fireplace should be reliable and should work right the first time it is used, and the 1,000th. A core part of our business is making sure that we are building long-lasting, durable, high-quality products; we back-up that commitment with the industry's best warranty on all our products.

COST-EFFICIENT

Never before have home heating costs been higher. Turn your furnace way down and zone heat with our beautiful, reliable and convenient Regency products. Not only can you cut your fuel bills in half, but you'll be able to enjoy the timeless comfort of a Regency fire.

Why Regency? Because it's more than a fireplace!



TABLE OF CONTENTS

Hampton®
GCi60 & GC60 04

Greenfire™
GFi55, GF55 06

Greenfire™
GF40 08

Specifications 09





Hampton GCi60 biomass pellet insert shown with ceramic log set.

HAMPTON® | GCi60 • GC60 *Biomass Pellet Insert & Stove*

COST-EFFICIENT HEATING

Our Hampton biomass pellet collection beautifully combines the best features of traditional cast iron with the latest developments in alternative fuel technology. Designed to burn wood, corn, wheat, and barley pellets, these models offer very cost-effective home heating. Supported by a patent-pending low maintenance burner, the Hampton GCi60 and GC60 require less cleaning and provides a high heat output.

TIMELESS DESIGN

The Hampton cast-iron pellet series offers the timeless beauty of a cast-iron stove or insert with the convenience of pellets. Enjoy a traditional look that is well suited to virtually any home.

SPECIFICATIONS	GCi60	GC60
BTU input (on high)*	55,000	55,000
BTU input (on low)*	10,000	10,000
Emissions (grams/hour)	1.82 g/hr	1.82 g/hr
Fuel capacity (hopper size)	60 lbs	60 lbs
Burn time (typical)	up to 36 hrs.	up to 36 hrs.
Room size / Area heated**	up to 2,500 sq. ft.	up to 2,500 sq. ft.
Weight	500 lbs	504 lbs
Max. power usage (ignitor on)	504 Watts	504 Watts
Operating power usage	200 Watts	200 Watts
Vent size	4"	4"
Viewing area	232 sq. in.	232 sq. in.

MINIMUM FIREPLACE OPENING (GCi60 ONLY)	
Width (front)	27"
Height	23"
Depth	16"

* Figure will vary with individual conditions and fuel quality.
 ** Figure will vary with floor plan, house layout / heat loss of the house and quality of pellets used.



Hampton GC60 biomass pellet stove shown with ceramic log set.

FEATURES

- Ability to burn a variety of biomass pellet fuels: high grade to low-grade wood, corn, wheat, and barley
- Durable cast-iron exterior provides beautiful, radiant heat
- Fluted cast-iron liner
- Low maintenance burner with agitator rod in the burn pot
- Reduced cleaning intervals compared to other pellet stoves
- Quick start automatic (400 watts) ignitor with air pump
- 300 CFM convection variable speed blower
- Standard wall thermostat
- Concealed, easy-to-use controls with Tri-mode operating system (Manual – Hi/Lo – Auto/Off)
- Advanced air wash system for cleaner glass
- Mobile home approved (GC60 only)
- Large concealed ash drawer

OPTIONS

- Ceramic one piece log set
- Oversize filler panel (GCi60 only)





Greenfire GF55 pellet insert with antique copper door overlay and ceramic log set.

GREENFIRE™ | GF55 • GF55 Wood Pellet Insert & Stove

RELIABLE PELLET TECHNOLOGY

Regency Greenfire pellet stoves and home heater inserts are quiet, reliable, and built to last. Designed to operate automatically with a standard ignitor, the GF55 and GF55 invite you to control the comfort of your home with a simple push of a button.

EXCEPTIONAL FIRE

The large wrap-around style glass viewing area provides a maximum view of the fire from all over the room. Experience the dancing flames and warm, radiant heat from the Greenfire GF55 or GF55.

SPECIFICATIONS	GF55	GF55
BTU input (on high)*	45,000	45,000
BTU input (on low)*	12,000	12,000
Emissions (grams/hour)	0.89 g/hr	0.89 g/hr
Fuel capacity (hopper size)	55 lbs	55 lbs
Burn time (typical)	up to 36 hrs.	up to 36 hrs.
Room size / Area heated**	up to 2,000 sq. ft.	up to 2,000 sq. ft.
Weight	238 lbs	292 lbs
Max. power usage (ignitor on)	520 Watts	520 Watts
Operating power usage	200 Watts	200 Watts
Vent size	3"	3"
Viewing area	161 sq. in.	161 sq. in.

MINIMUM FIREPLACE OPENING (GF55 ONLY)

Width (front)	26"
Height	19-1/2" - 22-3/4"
Depth	15"

* Figure will vary with individual conditions and fuel quality.

** Figure will vary with floor plan, house layout / heat loss of the house and quality of pellets used.



Greenfire GF55 pellet stove shown with brushed nickel door overlay and ceramic log set.

FEATURES

- Large arched bay door
- Black door overlay
- Steel fluted liner panels
- Hidden door handle
- Decorative black grilles
- Heavy-duty heat exchanger
- Large full pedestal ash drawer (GF55 only)
- Large concealed ash drawer (GF55 only)
- Large 55 lb hopper with easy access lid and recessed handle
- Adjustable hopper height (GF55 only) from 22.75" to 19.5"
- 160 CFM convection variable speed blower
- Concealed, easy-to-use controls with Tri-mode operating system (Manual – Hi/Lo – Auto/Off)
- Quick start ignitor (300 Watts)
- Mobile home approved (GF55 only)

OPTIONS

- Antique copper door overlay
- Brushed nickel door overlay
- Ceramic one piece log set
- Regular or oversize faceplate (GF55 only)





Greenfire GF40 shown with hearth pad.

GREENFIRE™ | GF40 Wood Pellet Stove

MODERN, COMPACT DESIGN

The GF40 small freestanding pellet stove features a modern, compact design that heats your room evenly and quickly. Put up your feet and enjoy the warmth, while the quick start automatic ignitor and large, multi-tube heat exchanger do all the work.

SPECIFICATIONS	GF40
BTU input (on high)*	30,000
BTU input (on low)*	8,000
Emissions (grams/hour)	0.48 g/hr
Fuel capacity (hopper size)	up to 67 lbs
Burn time (typical)	up to 36 hrs.
Room size / Area heated**	up to 1,200 sq. ft.
Weight	230 lbs
Max. power usage (ignitor on)	475 Watts
Operating power usage	215 Watts
Vent size	3"
Viewing area	124 sq. in.

* Figure will vary with individual conditions and fuel quality.

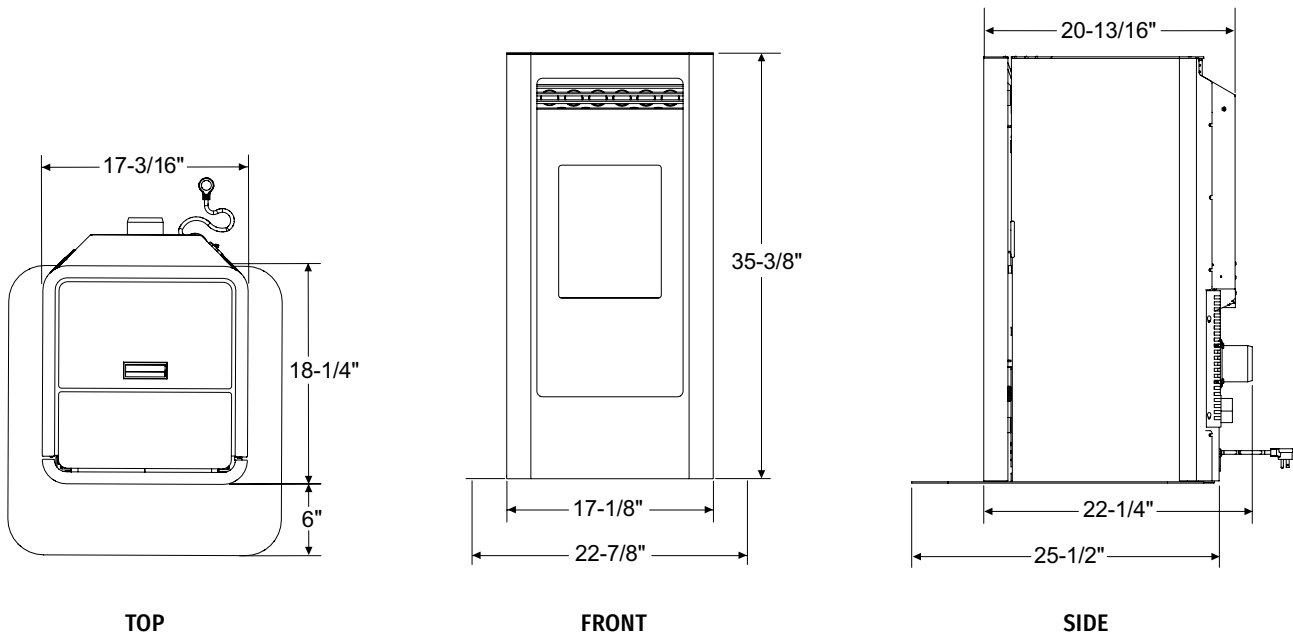
** Figure will vary with floor plan, house layout / heat loss of the house and quality of pellets used.

FEATURES

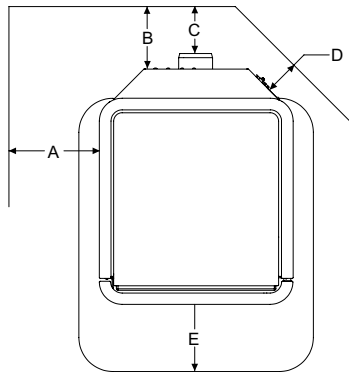
- Ability to burn a variety of pellet fuels - high grade to low grade wood pellets
- Low maintenance burner and easy to clean burn pot
- Concealed, easy-to-use controls with Tri-mode operating system (Manual - Hi/Lo - Auto/Off)
- Large multi-tube heat exchanger
- 130 CFM convection variable speed blower
- Mobile home approved
- Quick start automatic (400 watt) ignitor
- Large concealed ash drawer
- Standard matching hearth pad



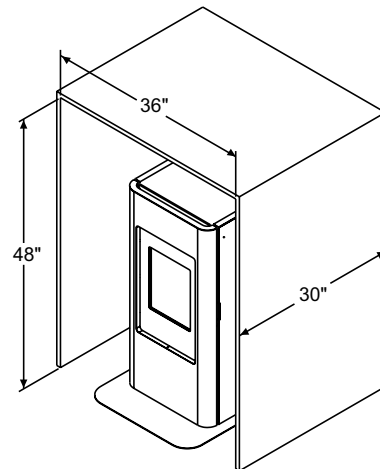
SPECIFICATIONS - GF40 WOOD PELLET STOVE



CLEARANCES



MIN. ALCOVE CLEARANCES

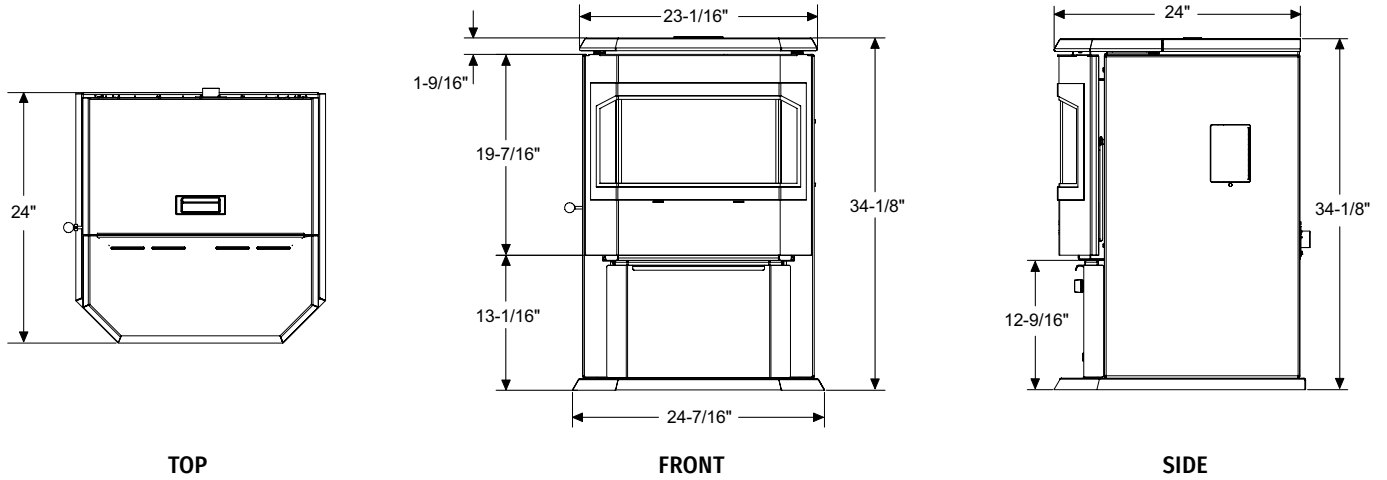


CLEARANCES TO COMBUSTIBLES

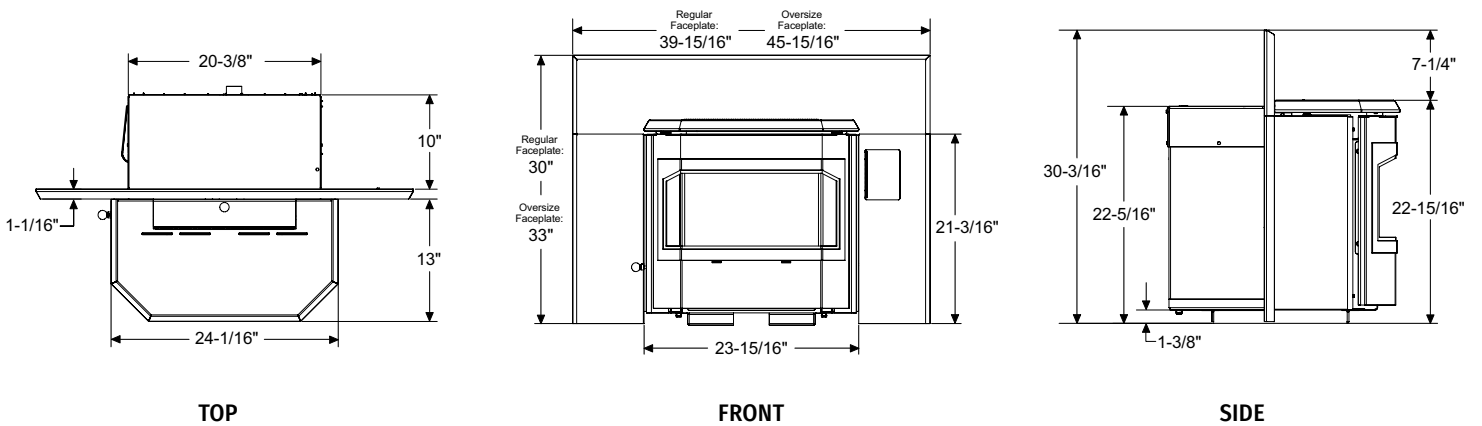
A	Side wall to unit	8"
B	Back wall to unit	5-1/2"
C	Back wall to chimney connector	4"
D	Corner to unit	3"
E	Glass to hearth pad	6"

SPECIFICATIONS - GREENFIRE STOVE & INSERT

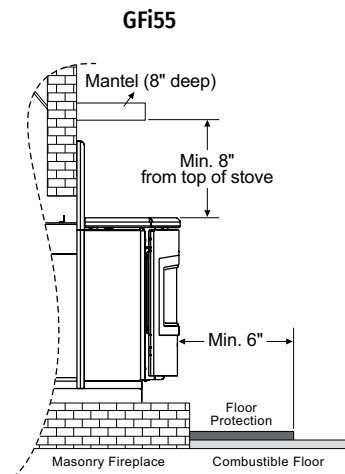
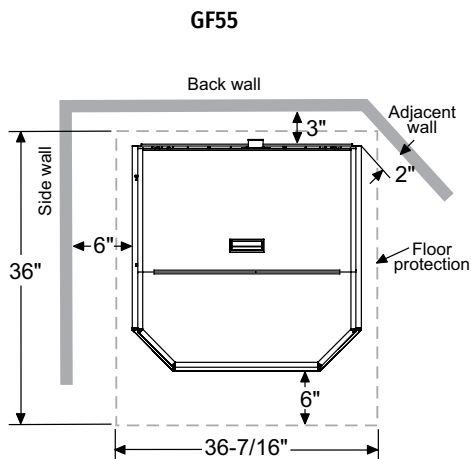
GF55 PELLET STOVE



GFi55 PELLET INSERT



CLEARANCES

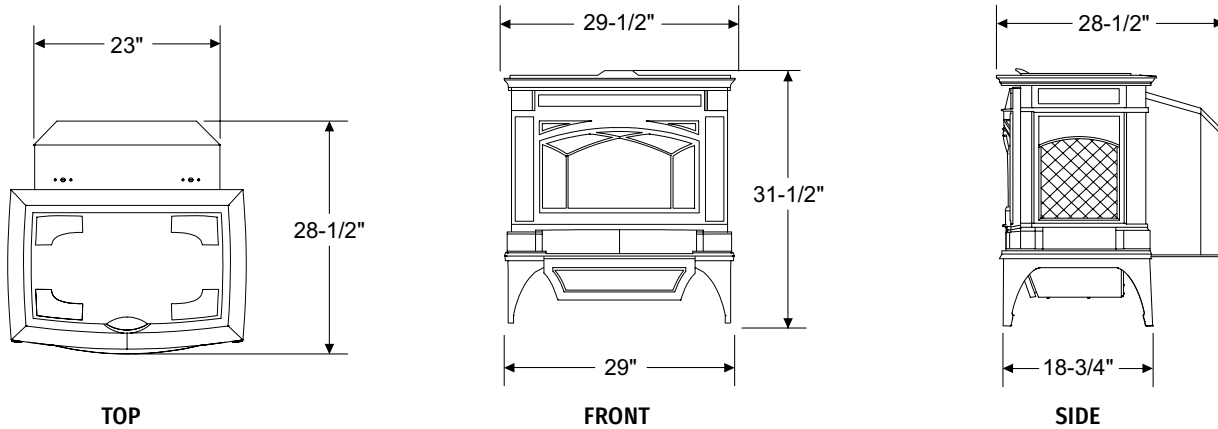


GFi55

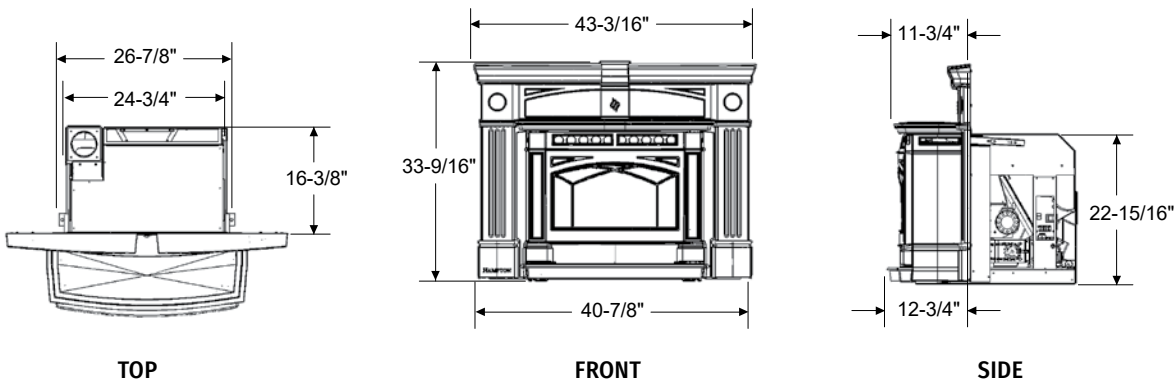
MIN. FIREPLACE OPENING	
Height - 55 lbs hopper (standard)	22-3/4"
Height - 42 lbs hopper (adjusted)	19-1/2"
Width	26"
Depth	15"

SPECIFICATIONS - HAMPTON STOVE & INSERT

GC60 PELLET STOVE



GCi60 PELLET INSERT



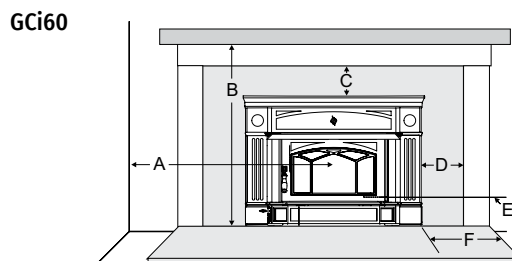
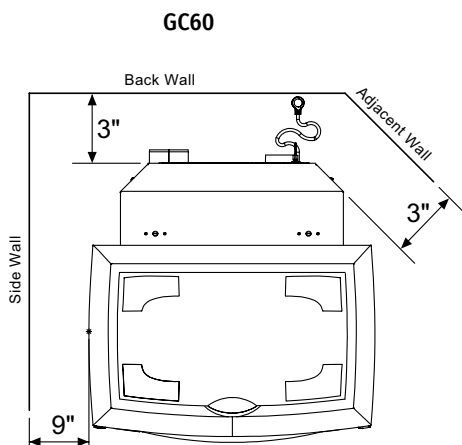
MIN. FIREPLACE OPENING

Height	23"
Width	27"
Depth	16"

OVERSIZE FILLER PANEL

Height	38"
Width	50"

CLEARANCES



MASONRY & FACTORY BUILT FIREPLACE CLEARANCES

The minimum required clearances to combustible materials when installed into a masonry fireplace are:

Adjacent Side Wall (from center)	Mantel (12") (bottom unit)	Top Facing (top faceplate)	Adjacent Side Wall (from faceplate)	Min. Hearth Extension (from door opening)	Min. Hearth Side Extension (from side of unit)
A	B	C	D	E	F
24"	33"	0"	2"	6"	6"

PELLET PRODUCT - A GREEN CHOICE



RENEWABLE ENERGY

Pellets are derived from renewable natural resources. Well-managed forests and crops offer a renewable, sustainable source of energy that helps reduce greenhouse gas emissions and help to reduce our dependency on fossil fuels.

PELLET BURNING IS CARBON NEUTRAL

As plants grow, they absorb carbon dioxide from the atmosphere. When plants die and decompose, the carbon stored in them is released into the atmosphere as carbon dioxide. Burning pellets is carbon neutral because burning pellets produce the same amount of carbon dioxide as they absorb during their life cycle.

EPA CERTIFIED

All Regency pellet stoves and inserts have been tested and certified to meet, and many times exceed, the EPA's 2020 guidelines for clean air emissions.

regency-fire.com

Your Regency Dealer



©2021 FPI Fireplace Products International Ltd. Greenfire™, Regency®, Hampton® are registered or proprietary trademarks of FPI Fireplace Products International Ltd. All rights reserved. Printed in Canada (08/21) Part no. 944-407